



Instruction Sheet

I Beam / H Beam Eye Bolt Package 7000-I

Store these instructions with the enclosed maintenance checklist in a safe place. You may also access them on our website.



WARNING! Eye bolts will wear with use and must be inspected on a regular basis. Discontinue use of eyebolt and replace immediately when wear begins to show. Do not let wear exceed 30% of the eye bolt.

IMPORTANT: Please check equipment immediately for any damage that may have resulted during shipping. If any damage has occurred, please contact Southpaw Enterprises, Inc. immediately.

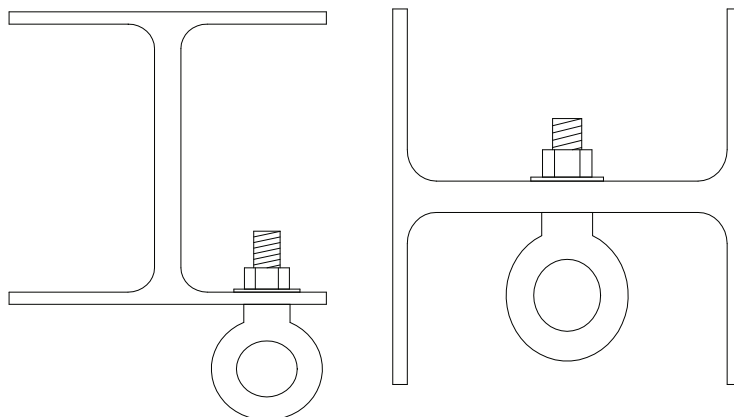
Warning: Failure to properly install a forged steel eyebolt (1/2" or 5/8") may result in serious injury or death. If you have any questions about the installation of the forged steel eyebolt, please contact Southpaw Enterprises

MATERIALS LIST:

- 1 - 1-1/2" X 1/2" Forged Steel Eye Bolt
- 1 - 1/2" Washer
- 1 - 1/2" Positive Lock Nut

WORKING LOAD: 600 pounds*.

* Our I-H/Beam installation kit is capable of holding a minimum of a 600 pound working load. You must be certain that the beam to which you are attaching this kit, and the location on that beam where you are placing it, can hold the load that you plan to place on it.



INSTALLATION:

Drill a 1/2" hole through the flange of the I-beam or the web of the H-beam. Locate the center of the hole in the center of the flange or web as show above.

Put the eye bolt through the hole. Put a washer on the bolt and start the nut on the bolt. (NOTE: The 1/2' nut is a locking nut and will only start on the bolt from one side. You will need to use a wrench to turn and tighten this nut).

Put a bar through the eye of the eye bolt and use a wrench to tighten the nut securely. **There should be no movement of the eye bolt.**

You must us a Southpaw Safety Rotational Device # 2000 with the eye bolt to prevent damage to your equipment.

MAINTENANCE CHECKLIST

All of the following wear points should be checked on a daily, weekly or monthly basis (as indicated) and recorded on the checklist enclosed.

- Try to turn the eye bolt on a **DAILY** basis. If it turns at all, remove the eye bolt, coupling nut and lock nuts. Clean each piece and then re-install per the directions using Loctite 242 threadlocker.
- Check all nuts and bolts making certain that they are tight on a weekly basis.
- **WARNING:** Check eye bolt for wear and movement. If more than 30% of the thickness of the eye bolt is worn away (See fig. 1), discontinue use until replaced. If the eyebolt moves excessively, discontinue use until all hardware is checked and tightened.
- Use a Southpaw Safety Rotational Device (item #2000) to prevent abnormal wear and damage to equipment.
- A small amount of grease at the point where the eye bolt and safety snap connect will greatly extend the life of the eye bolt and safety snap.

Wear pattern

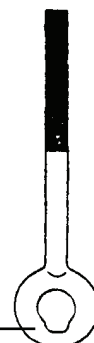


Fig. 1



Take time to familiarize yourself with the use and maintenance of this equipment before using. Please file this Instruction Sheet in an accessible location: the Instruction Sheet must be read and familiar to anyone who is using Southpaw Enterprises Equipment.

CAUTION

- ◆ **Check ceiling eye bolt for wear and movement. Do not let wear exceed 30% of eyebolt. If the eye bolt moves excessively, discontinue use until all hardware is checked and tightened. Use a Southpaw Safety Rotational Device to prevent abnormal wear.**
- ◆ **Floor mats of proper thickness should be positioned properly under and around all suspended equipment.**

Safety Precautions - The safety of your clients is dependent on the appropriate choice of activity to match, yet challenge their physical abilities. Use appropriate spotting / safety techniques. In addition, the layout of your activity area, proper installation and maintenance of your equipment is critical. Southpaw equipment is not intended for recreational or outdoor use. Under no condition should this equipment be used without proper supervision.

This sheet is for example only. It is not meant to, in any way, replace local, county, state, or Federal standards. Be aware - it is your responsibility to find all pertinent safety information that pertains to your facility.



If you have any questions or comments, please call or write
Southpaw Enterprises, Inc.
P.O. Box 1047, Dayton, Ohio 45401 -1047
Toll Free - (800) 228-1698
Come see us on the World Wide Web at <http://southpawenterprises.com>